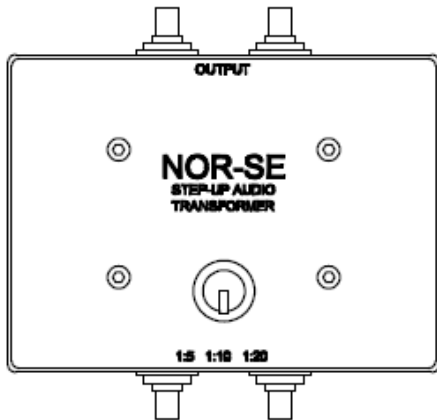
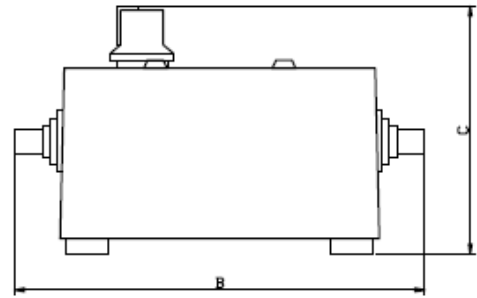
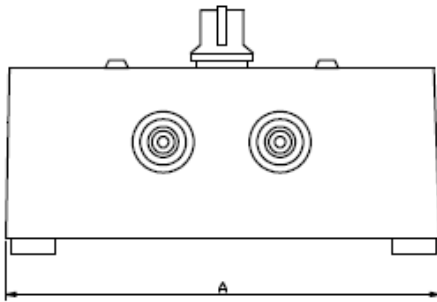


## STEP-UP



### Measurement conditions:

$f = 1 \text{ kHz}$ ,  $V_{out} = 0.01 \div 1.00 \text{ V}$ ,  $Z_{load} = 100 \text{ k}\Omega$ ,  $100 \text{ pF}$

Ratio 1:5, 1:10, 1:20

Harmonic distortion carried out with the following conditions:

$f = 1 \text{ kHz}$ ,  $V_{out} = 10 \text{ mV}$ ,  $Z_{load} = 100 \text{ k}\Omega$ ,  $100 \text{ pF}$

2° harmonic distortion = 0,007%

3° harmonic distortion = 0,001%

4° harmonic distortion = 0,0007%

5° harmonic distortion = 0,0004%

6° harmonic distortion = 0,0005%

7° harmonic distortion = 0,0002%

Bandwidth detected:

4 Hz (-1 dB)

1 Hz (-3 dB)

MODEL	RATIO	Z load	RESPONSE	Z load	RESPONSE	DIMENSIONS (mm)			WEIGHT (kg)
		47k $\Omega$ ,100pF	(-3dB)	22k $\Omega$ ,100pF	(-3 dB)	A	B	C	
ST1	1:5	47k $\Omega$ ,100pF	1÷26 kHz	22k $\Omega$ ,100pF	1÷21k Hz	112	106	64	0,380
ST1	1:10	47k $\Omega$ ,100pF	1÷25 kHz	22k $\Omega$ ,100pF	1÷21 kHz	112	106	64	0,380
ST1	1:20	47k $\Omega$ ,100pF	1÷22 kHz	22k $\Omega$ ,100pF	1÷21 kHz	112	106	64	0,380

Our step-up, unique of its kind, gives you the possibility to choose between three ratio (1:5, 1:10, 1:20).

This allows to have one product that can be used with any kind of cartridge (MA and/or MM) on the market without using additional resistors.

Provided with a wide bandwidth and with a minimum distortion, it has been carefully designed to optimize listening performances with optimal cleaning of the sound.

Manufacturing techniques and excellent materials allow to delete hum pickups generated by external sources.

Our products are entirely realised in Italy with first choice raw materials strictly selected in order to guarantee the best quality and safety.