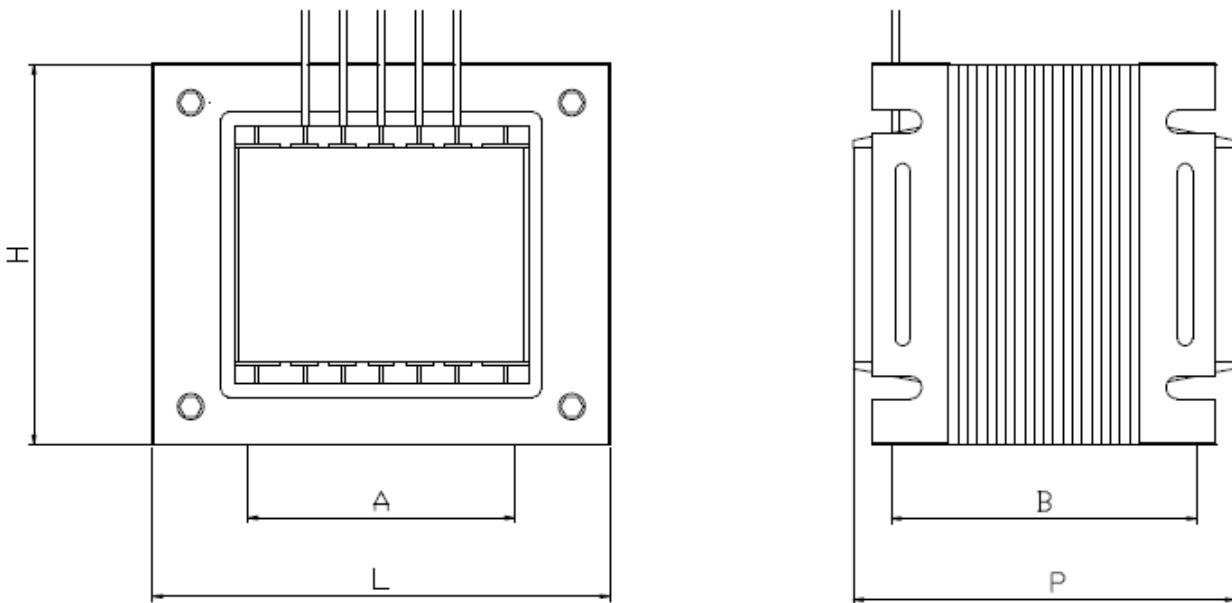


## OUTPUT LAMELLAR AUDIO TRANSFORMERS



**Technical data:** 4-8 ohm and Output 70-100.V  
**Frequency response:** 80-18000 Hz (+/- 3 dB)  
**Reference regulations:** EN 60065 (CEI 92-1)  
**Protection index:** IP00  
**Ambient temperature:** 35°C  
**Thermal insulation class:** B (130°C)  
**The transformers are immersed in an insulating liquid.**

POWER (W)	DIMENSIONS (mm)			FIX DISTANCE (mm)		WEIGHT (KG)
	L	H	P	A	B	
60	86	72	90	56	60	1,8
120	98	82	90	57	74	3
240	110	92	105	60	74	3,8
480	122	102	115	95	84	5,6

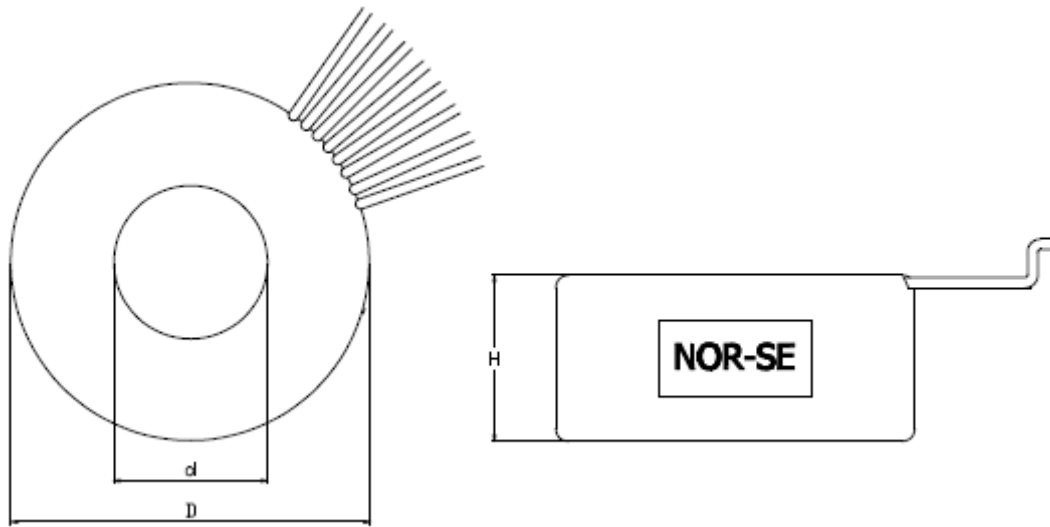
The output transformers (PA and D) are made according to the European standards EN 60065 CEI 92-1.

They are usually used as impedance adapters in audio amplifiers. Their processing with interlaced coils allows to obtain high performances and performances with a particularly extended frequency response.

Our products are entirely realised in Italy with first choice raw materials strictly selected in order to guarantee the best quality and safety.

**Our Technical Department is qualified and prepared to satisfy all kind of demands including tailor made requests.**

## OUTPUT TOROIDAL AUDIO TRANSFORMERS



**Technical data:** 4-8 ohm and output 70-100.V  
**Frequency response:** 40-22000 Hz (+/- 3 dB)  
**Reference regulations:** EN 60065 (CEI 92-1)  
**Protection index:** IP00  
**Ambient temperature:** 35°C  
**Thermal insulation class:** B (130°C)

POWER (W)	DIMENSIONS (mm)			WEIGHT (KG)
	D	d	H	
60	78		42	1
120	90		43	1,2
240	100		55	2,4
480	140		65	4,5

The output transformers (PA and D) are made according to the European standards EN 60065 CEI 92-1.

They are usually used as impedance adapters in audio amplifiers. Their processing with interlaced coils allows to obtain high performances and performances with a particularly extended frequency response.

Our products are entirely realised in Italy with first choice raw materials strictly selected in order to guarantee the best quality and safety.

**Our Technical Department is qualified and prepared to satisfy all kind of demands including tailor made requests.**